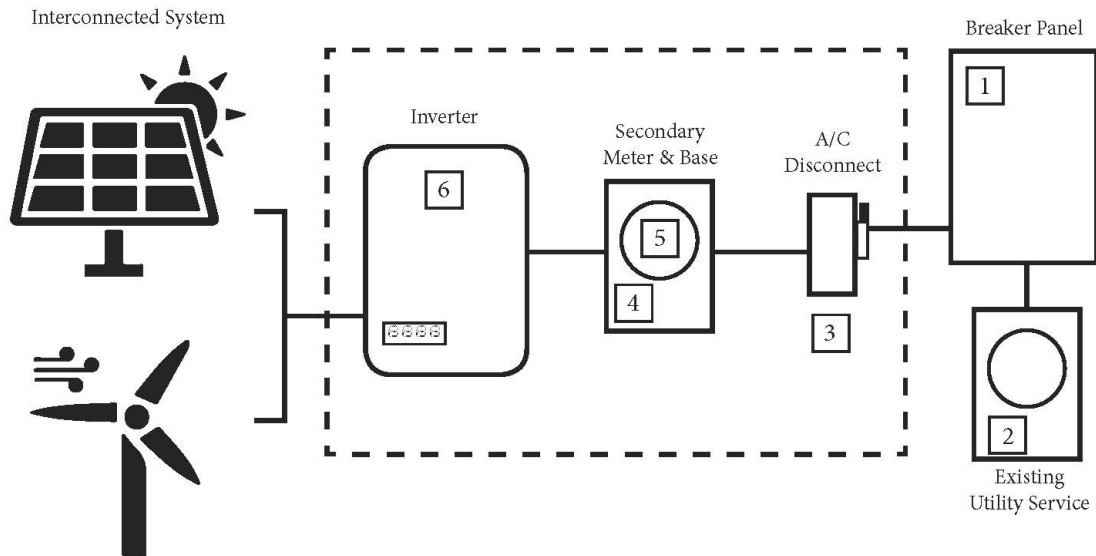


One Line Diagram – Interconnection with MJM

This diagram shows the basic detail for interconnecting a typical solar panel to your MJM electric service panel, and as required.



1. BREAKER PANEL – Distribution point for electrical circuits in your home.
2. EXISTING UTILITY SERVICE – Location of your existing service point, and meter location. MJM will change out the existing meter for a distributed generation meter.
3. A/C DISCONNECT – Member provides and installs A/C disconnect. It must be visible, lockable and located outside between the secondary meter (5) and breaker panel (1) base. A placard may be required denoting the location of the A/C disconnect if it is not located by the main service meter.
4. SECONDARY METER BASE – Member provides and installs secondary meter base.
5. SECONDARY METER –MJM will provide and install at the time of interconnection.
6. INVERTER – Member provides and installs inverter. Must be in accordance to UL 1741 standards and have a nameplate capacity of 25 Kw A/C or less.

No additional equipment shall be added to MJM poles. Any other support structure, such as a metering rack, must be at least 2ft from MJM pole.

Please contact MJM's Staking Technician: Nathan Hatalla for any questions at 217-707-6019 or nhatalla@mjmec.coop