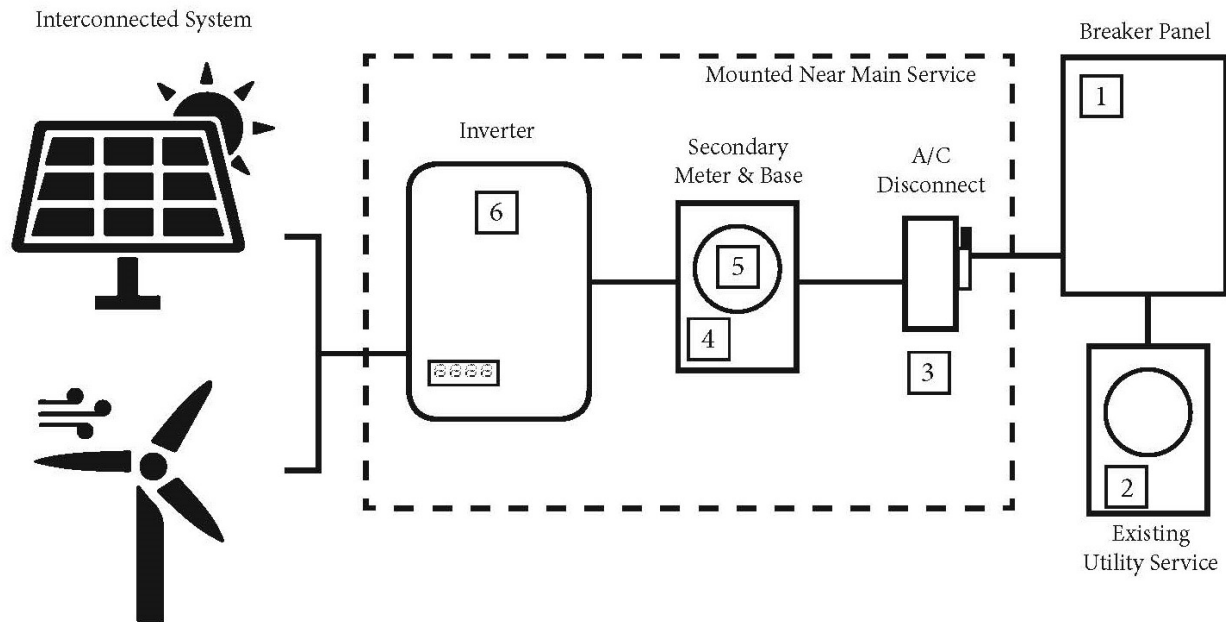


One Line Diagram – Interconnection with MJM

This diagram shows the basic detail for interconnecting a typical solar panel to your MJM electric service panel, and as required.



1. MAIN BREAKER –the main distribution point for electrical circuits in your home.
2. EXISTING UTILITY SERVICE– Location of your existing service point, and meter location. MJM will change out the existing meter for a distributed generation meter.
3. A/C DISCONNECT – Member provides and installs A/C disconnect. It must be visible, lockable and located outside between the secondary meter (5) and main breaker (1) base. A placard may be required denoting the location of the A/C disconnect if it is not located by the main service meter.
4. SECONDARY METER BASE – Member provides and installs secondary meter base.
5. SECONDARY METER –MJM will provide and install at the time of interconnection.
6. INVERTER – Member provides and installs inverter. Must be in accordance to UL 1741 standards and have a nameplate capacity of 10 Kw or less.

No additional equipment shall be added to MJM poles. Any other support structure such as a metering rack) must be at least 2ft from MJM pole.

Please contact MJM's Staking Technician: Nathan Hatalla for any questions at 217-707-6019 or nhatalla@mjmec.coop