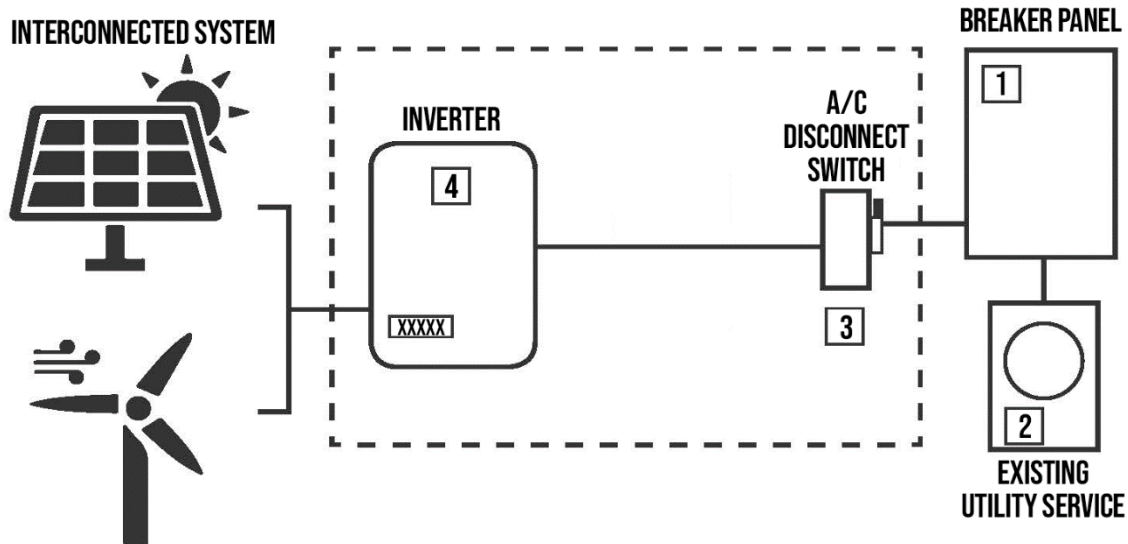


One Line Diagram Example – Interconnection with MJM

This diagram shows the basic detail for interconnecting a typical solar panel to your MJM electric service panel, and as required.



1. **BREAKER PANEL** – Distribution point for electrical circuits in your home.
2. **EXISTING UTILITY SERVICE** – Location of your existing service point, and meter location. MJM will change out the existing meter for a distributed generation meter.
3. **A/C DISCONNECT SWITCH**– Member provides and installs A/C disconnect switch. It must be visible, lockable, and located outside between the inverter (4) and breaker panel (1) base. A placard may be required denoting the location of the A/C disconnect switch if it is not located by the main service meter.
4. **INVERTER** – Member provides and installs inverter. Must be in accordance with UL 1741 standards and have a nameplate capacity of 25 Kw A/C or less.

No additional equipment shall be added to MJM poles. Any other support structure, such as a metering rack, must be at least **2ft from MJM pole**.

If your system has battery storage, please contact our Engineering Department.

Please contact our Member Generation Representative with any questions at:
217-707-6156 or solar@mjmec.coop