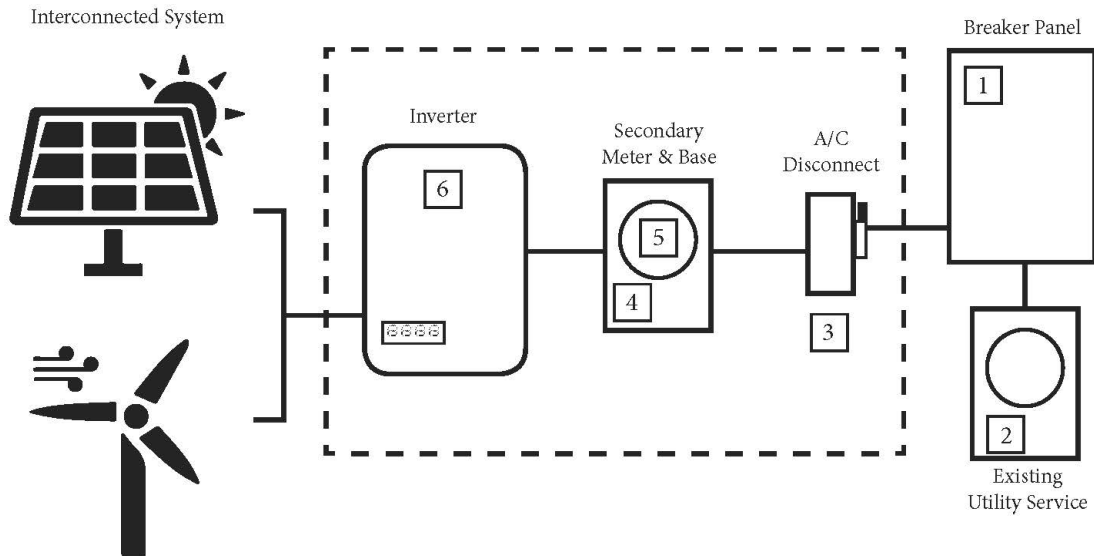


## One Line Diagram – Interconnection with MJM

This diagram shows the basic detail for interconnecting a typical solar panel to your MJM electric service panel, and as required.



1. **BREAKER PANEL** – Distribution point for electrical circuits in your home.
2. **EXISTING UTILITY SERVICE** – Location of your existing service point, and meter location. MJM will change out the existing meter for a distributed generation meter.
3. **A/C DISCONNECT** – Member provides and installs A/C disconnect. It must be visible, lockable, and located outside between the secondary meter (5) and breaker panel (1) base. A placard may be required denoting the location of the A/C disconnect if it is not located by the main service meter.
4. **SECONDARY METER BASE** – Member provides and installs secondary meter base.
5. **SECONDARY METER** – MJM will provide and install at the time of interconnection.
6. **INVERTER** – Member provides and installs inverter. Must be in accordance with UL 1741 standards and have a nameplate capacity of 25 Kw A/C or less.

No additional equipment shall be added to MJM poles. Any other support structure, such as a metering rack, must be at least 2ft from MJM pole.

**If your system has battery storage, please contact our Engineering Department.**

Please contact our Member Generation Representative with any questions at:  
217-707-6156 or [solar@mjmec.coop](mailto:solar@mjmec.coop)