

### General Notes

1. Contact Cooperative before installing any equipment or structure.
2. New underground services require signed easement(s).
3. Cooperative provides meter base with disconnects at a discounted cost.
4. Member is responsible for the building structure and mounting meter base.
5. Structure set so meter is 5' to 5 ½'. Post are 4"x4" or 6"x6" with 2" treated material creating a solid back for base to be mounted. Extra 2" set as a kicker board for the conduit. Width is unspecified but enough to fit base. (Recommend tongue and groove boards)
6. Conduit needs to be schedule 80 grey electric for service wire conduit and ground wire conduit.
7. Member shall provide a **#4 Solid Copper ground wire** with extra 18" of the line once it meets final grade. Ground rod and clamp shall be provided and installed by Cooperative when meter is installed.
8. Conduit for service wire and ground wire installed by member to be 18" below grade. No slip sleeve or long sweep needed unless specified by Cooperative.
9. Once all above is completed and Aid-to-Construction paid the member can inform Cooperative and the work order can be released for service installation.
10. All conduits within base need bushing and lock rings.
11. The trenching/digging of conductor to service requires area to be at or close to final grade.
12. Meter base needs to meet NEC code or regional code.
13. If the Cooperative 320 AMP base is not used, externally mounted disconnects are required.

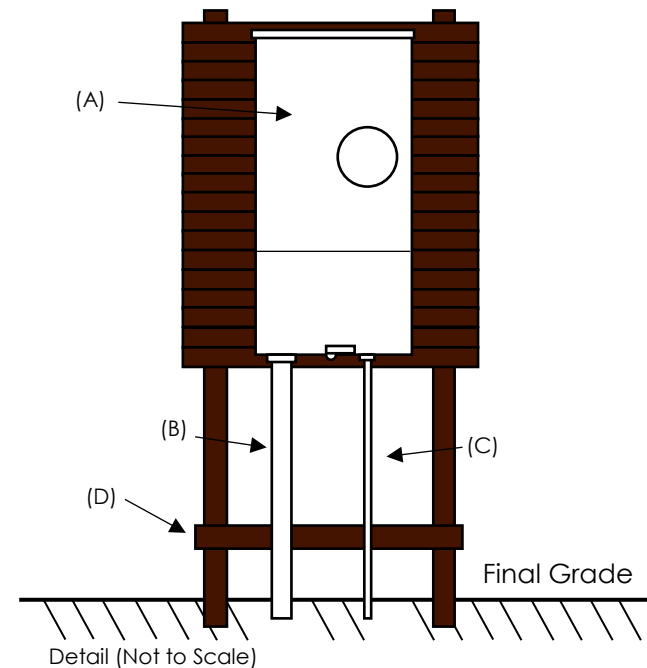
### General Notes (Continued)

14. Cooperative shall trench/dig for the service wire to base. The Cooperative will refill the trench with backfill. The member will be responsible for compacting trench and repairing sidewalks, driveways, etc.

Cooperative sells base at reduced price. Member may substitute base to Cooperative specifications.

### Detail Notes

- (A) – Meter Base (Cooperative Base Shown)  
(B) – Service Cable Entrance Conduit (2 ½" Conduit)  
(C) – Ground Wire Conduit (1/2" Conduit)  
(D) – Kicker Board



Underground Service Installation "Rack"  
Single Phase 120/240 Volts, Three Wire, 320 AMP