

### General Notes

1. Contact Cooperative before installing any equipment or structure.
2. New underground services require signed easement(s).
3. Cooperative provides meter base without disconnect at discounted cost.
4. Member responsible for building structure, mounting meter base and disconnect, and wiring from the base to disconnect.
5. Disconnects are required to be within 5' of the meter base and the other fused disconnect.
6. Structure set so meter is 5' to 5 ½'. Post are 4"x4" or 6"x6" with 2" treated material creating a solid back for base to be mounted. Extra 2" set as a kicker board for the conduit. Width is unspecified but enough to fit base and disconnect.  
(Recommend tongue and groove boards)
7. Conduit needs to be schedule 40 grey electric for service wire conduit and ground wire conduit.
8. Member shall provide ground wire with extra 18" of the line once it meets final grade. Ground rod and clamp shall be provided and installed by Cooperative when meter is installed.
9. Conduit for service wire and ground wire installed by member to be 18" below grade. No slip sleeve or long sweep needed unless specified by Cooperative.
10. Once all above is completed and Aid-to-Construction paid the member can inform Cooperative and the work order can be released for service installation.
11. All conduits within base and disconnect needed bushing and lock rings.

### General Notes (Continued)

12. The trenching/digging of conductor to service requires area to be at or close to final grade.
13. Cooperative shall trench/dig for the service wire to base. The Cooperative will refill the trench with backfill. The member will be responsible for compacting trench and repairing sidewalks, driveways, etc.
14. Meter base needs to meet NEC code or regional code.

### Service Entrance Wire Size

Ground Wire – Bare #4  
Between Base and Disconnects – 3/0 Copper



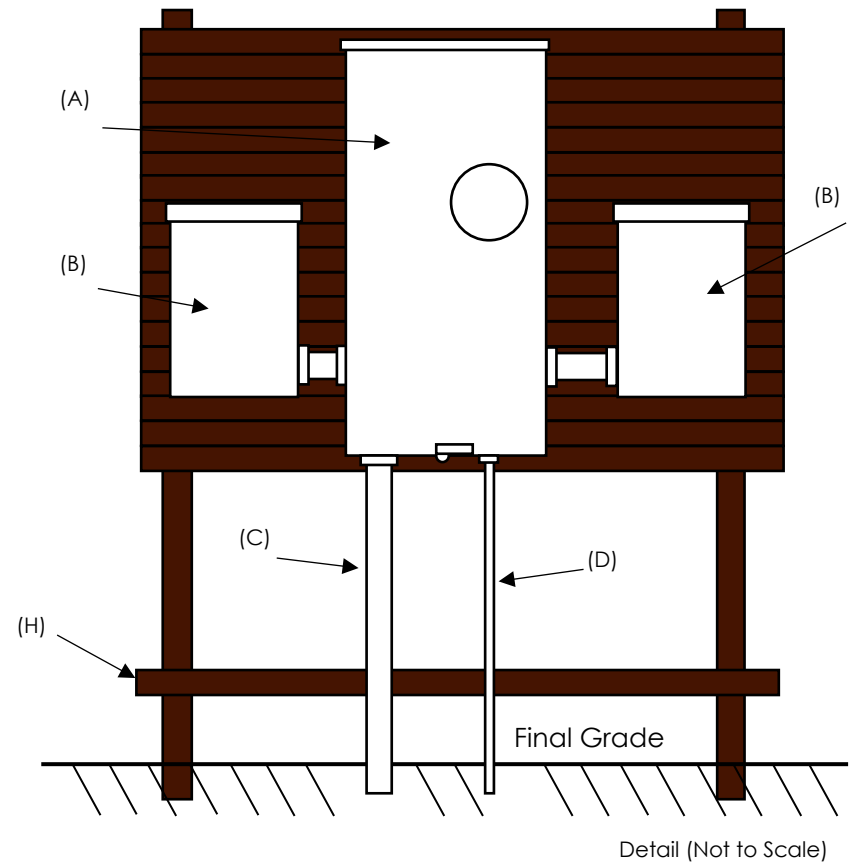
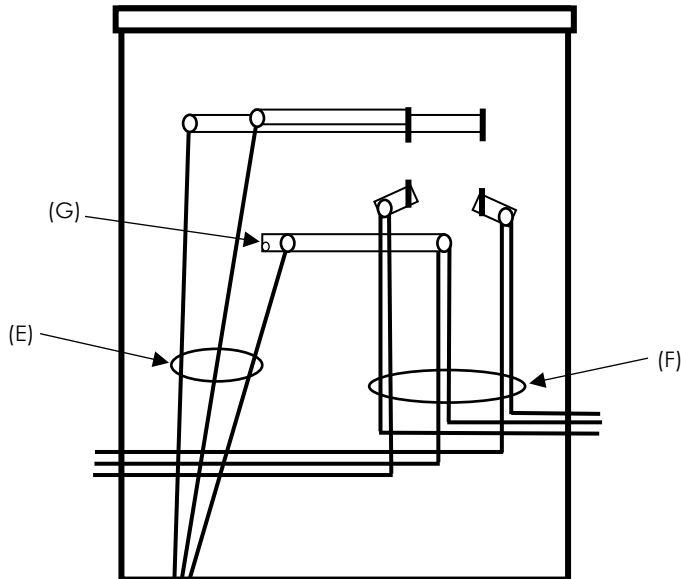
Underground Service Installation "Rack"  
Single Phase 120/240 Volts, Three Wire, 320 AMP

(See Front Side) →

**Detail Notes**

- (A) – Meter Base (Cooperative Base Shown)
- (B) – Disconnect (Fused)
- (C) – Service Cable Entrance Conduit (2 ½" Conduit)
- (D) – Ground Wire Conduit (1/2" Conduit)
- (E) – Cooperative Conductor
- (F) – Member's Conductor
- (G) – Ground Wire Screw
- (H) – Kicker Board

Underground Service Installation "Rack"  
Single Phase 120/240 Volts, Three Wire, 320 AMP



Call Julie before you dig [800-892-0123](tel:800-892-0123)

(See Back Side) →