

General Notes

1. Contact Cooperative before installing any equipment.
2. Cooperative owns pole, service to the pole, pole ground, and meter itself.
3. Members owns the meter base and all other material on the pole.
4. Disconnect required adjacent to or under meter base.
5. Neutral conductor is continuous through the meter base into the disconnect. Mark the conductor at the weatherhead.
6. Line conductors are to be mark and identified separate from neutral and load conductors at the weatherhead.
7. Cooperative will install ground rod and clamp.
8. Service mast needs to be 15' rigid aluminum threaded conduit with proper fittings. *
9. 36" of service wire needed past weatherhead.
10. If meter loop is prepared when service is being installed the loop can be installed by Cooperative.
11. Cooperative service conductor should not pass over building/structure.
12. All wiring within the loop is to be to National Electric Safety Code (NEC).

Members may buy a premade meter loop from the Cooperative.

Service Entrance Wire Size [100AMPS]

Ground Wire – Bare #6

Between Weatherhead to Disconnect – #2 Copper

Service Entrance Wire Size [200AMPS]

Ground Wire – Bare #6

Between Weatherhead to Disconnect – 3/0 Copper

**Service Conduit Size for Members Service [100AMPS]
Combination Overhead/Underground**

Service Conduit – 2"

Underground Only

Service Conduit – 1 1/4"

**Service Conduit Size for Members Service [200AMPS]
Combination Overhead/Underground**

Service Conduit – 2 1/2"

Underground Only

Service Conduit – 2"

* : The Length is for a 30ft pole. If a taller pole is needed so will more conduit.



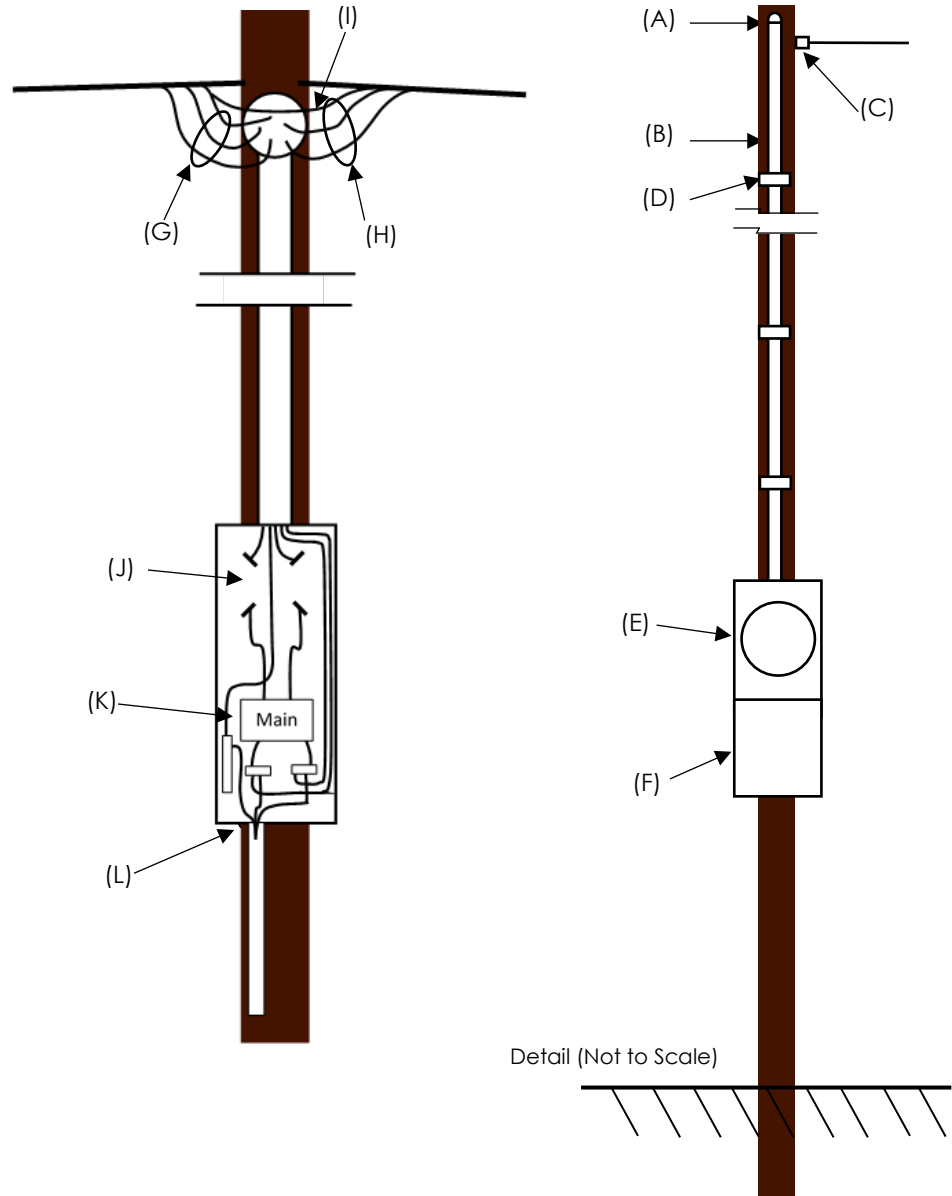
Overhead Service Installation "Pole"
Single Phase 120/240 Volts, Three Wire, 100/200 AMP

(See Front Side) →

Detail Notes

- (A) – Weatherhead
- (B) – Service Conduit (See Reverse Side)
- (C) – Wire holder; Cooperative Service Drop
- (D) – Clamps
- (E) – Meter base and Disconnect
- (F) – Disconnect (Fused)
- (G) – Service Connection
- (H) – Member's Overhead Conductor
- (I) – Neutral Conductor
- (J) – Meter Socket
- (K) – Main Disconnect
- (L) – Member's Underground Conductor

Overhead Service Installation "Pole"
Single Phase 120/240 Volts, Three Wire, 100/200 AMP



Detail (Not to Scale)

(See Back Side) →

Call Julie before you dig – 800-892-0123